

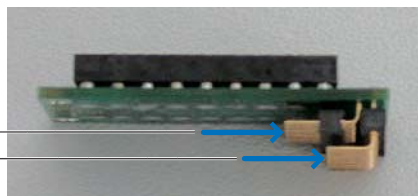
MP-16-ADPT

16-Electrode Michigan Probe Adapter for MPA8I Amplifiers

Connecting the MPA8I to the MP-ADAPTER

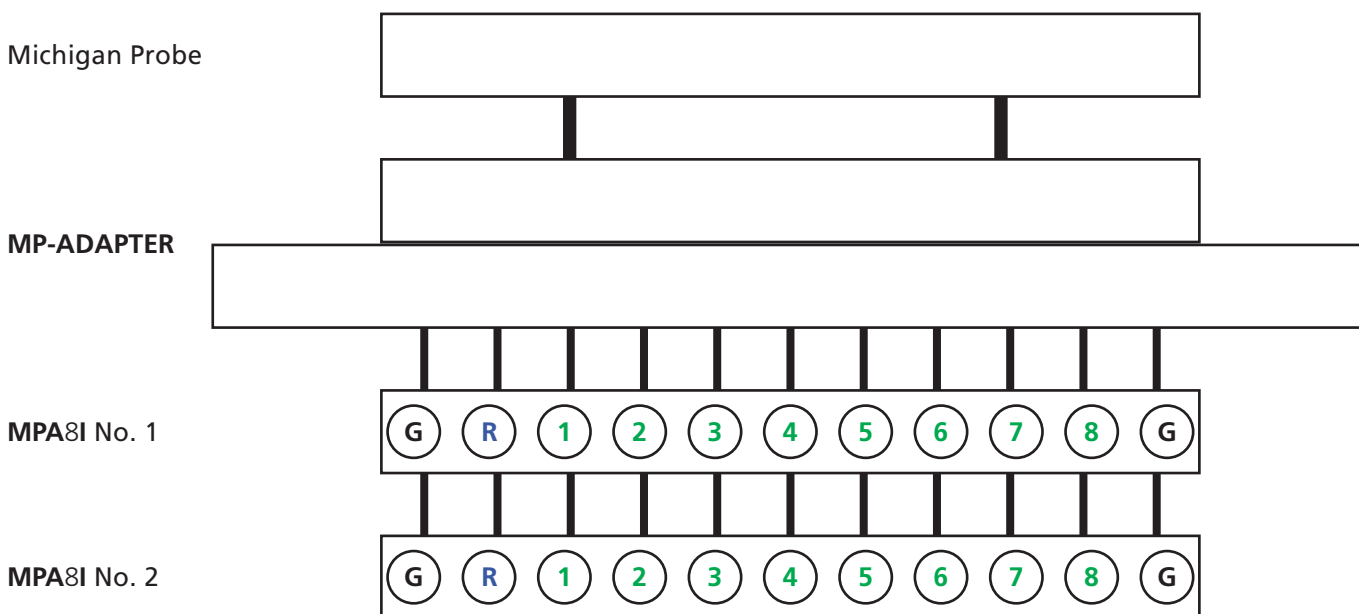
Side view

Connect MPA8I No. 1 here
Connect MPA8I No. 2 here



Important: Connect the MPA8I with the black side down. Otherwise, the device does not work.

Channel assignment, output pins (connected to MPA8I)



Shown are the output pins of the adapter that are connected to the miniature preamplifiers MPAI when looking directly at the pins. The numbered channels are the ground channels (G), the reference channel (R), and the 8 recording channels (1-8) of the MPA8I. Please see the MPA8I User Manual for details.



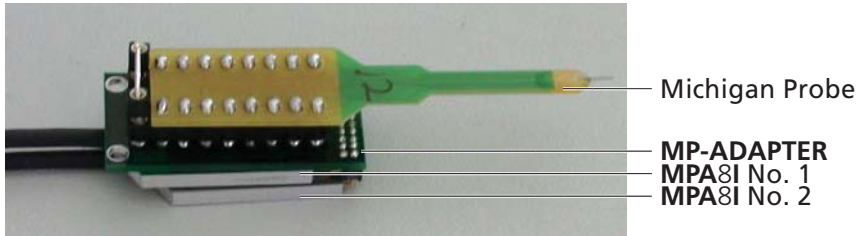
Warning: The device may only be used together with the MPA8I from Multi Channel Systems MCS GmbH and the 16-channel probe from NeuroNexus, and only for the specified purpose. Damage of the device and even fatal injuries can result from improper use.

MP-16-ADPT

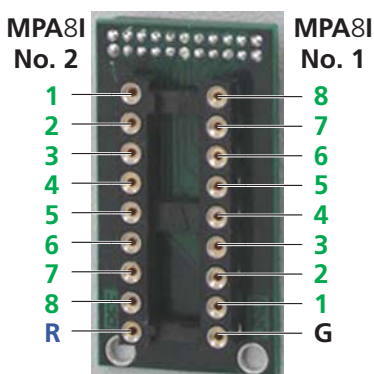
16-Electrode Michigan Probe Adapter for MPA8I Amplifiers

Connecting the Michigan Probe to the MP-Adapter

Complete setup with Michigan probe and two MPA8Is



Channel assignment, input pins (connected to the probe)



Top view without probe

Shown are the input pins of the adapter that are connected to the probe. The numbered channels are the ground channel (G), the reference channel (R), and the 8 recording channels (1-8) of the MPA8I. Please see the MPA8I User Manual for details.

G and R have been connected together as factory-default settings. You can change this connection to meet your requirements.

Important: The reference channel R has to be used for obtaining a proper signal. Please see the MPA8I User Manual for details.



Warning: The device may only be used together with the MPA8I from Multi Channel Systems MCS GmbH and the 16-channel probe from NeuroNexus, and only for the specified purpose. Damage of the device and even fatal injuries can result from improper use.