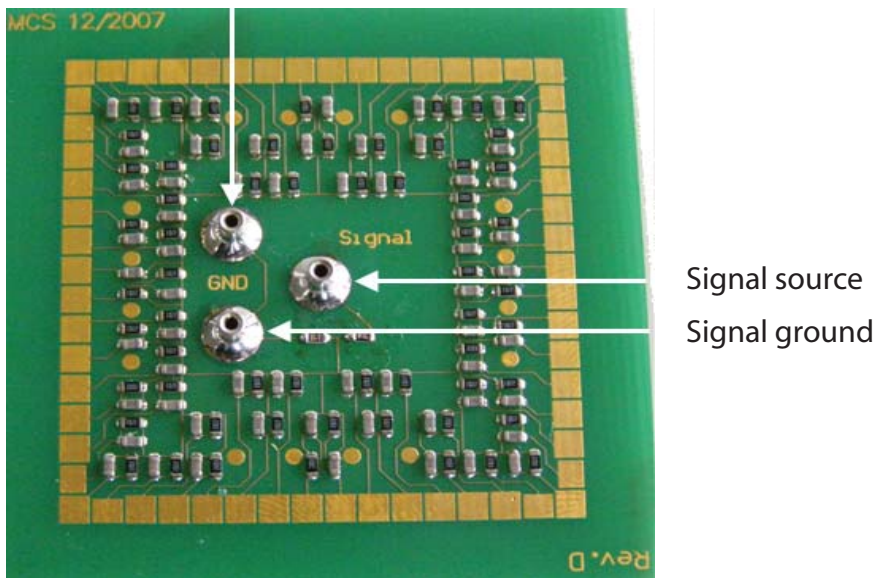


MEA-T

Test Model Probe for MEA1060 Amplifiers

CB-GND cable to amplifier ground



Signal source
Signal ground

Important: To feed in test signals into the MEA1060 Amplifier with this Test Model Probe, it is mandatory to connect the signal source at the plug socket labeled with "Signal".

Connect any of the GND pins to the amplifiers ground and the other one to signal source ground (pins are interconnected).

If there is no external signal, you can check the noise level with a short circuit between signal plug and one of the ground plugs.

For ground connection and for short circuit you need the cable CB-GND.



Warning: The device may only be used together with the MEA System from Multi Channel Systems MCS GmbH, and only for the specified purpose. Damage of the device and even fatal injuries can result from improper use.

Scope of delivery:

1 MEA Test Model Probe

2 CB-GND (cables with a length of ca. 50mm, and two 0,76mm connectors)