

● **C-4xBNC-Lemo0.5m**

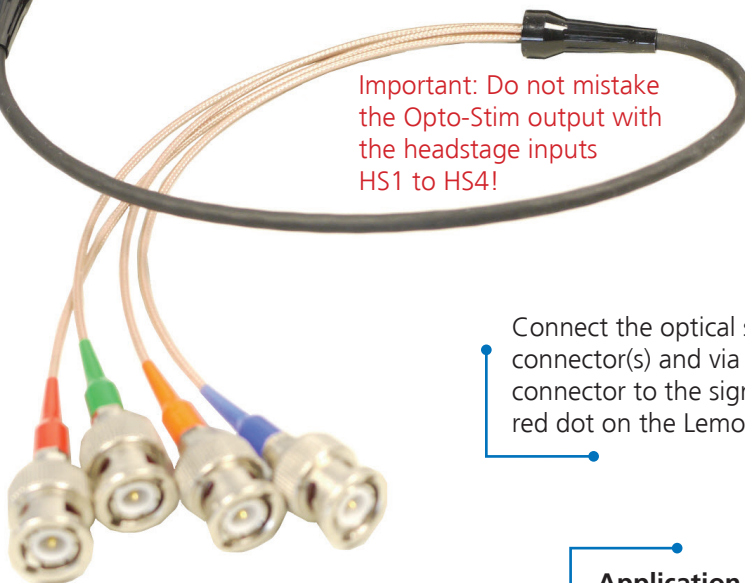
● **Cable to connect the Opto-Stim Output of the Signal Collector Unit MCS-SCU to up to four optical stimulation devices**

Opto-Stim output: The red dot of the Lemo connector must face upwards!



Signal Collector Unit MCS-SCU

Important: Do not mistake the Opto-Stim output with the headstage inputs HS1 to HS4!



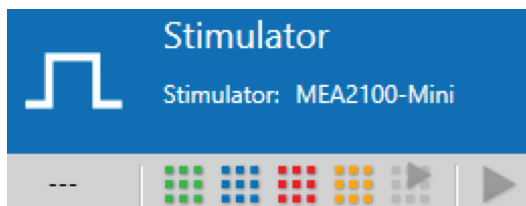
● **C-4xBNC-Lemo0.5m**

● Connect the optical stimulation device(s) to the BNC connector(s) and via the provided cable with the Lemo connector to the signal collector unit MCS-SCU. The red dot on the Lemo connector must face upwards.

● **Application**

● Control the trigger signals for the optical stimulation device(s) with the [Multi Channel Experimenter](#) software. Please read the manual for detailed information.

● Four stimulator units are available for each SCU. The BNC connectors are color coded according to the colors used in the Multi Channel Experimenter software.



Scope of Delivery: 1 x C-4xBNC-Lemo0.5m cable, length: 0.5 m