

## ADPT-ME2100-HS32-OM

**Adapter to connect a ME2100-HS32-M/S Headstage to an Electrode Probe with Omnetics Connector**

### Application

Please use the ADPT-ME2100-HS32-OM to connect an electrode probe with Omnetics connector and the 32-channel headstage of the ME2100-HS32-System.

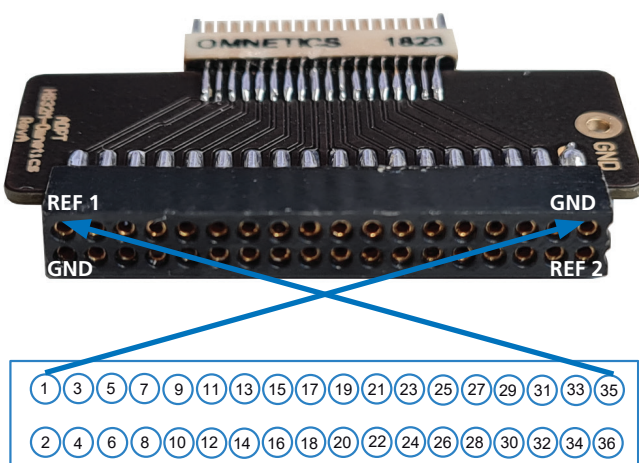
**The connection from one side of the adapter to the other is one to one.**

Please read also the datasheet of the Omnetics probe and the manual of the ME2100-System.

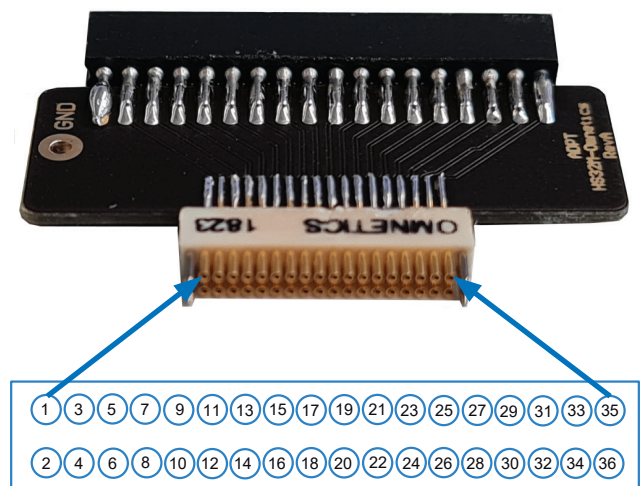
### Input Connector

Pin 1	GND (Ground)
Pin 2	Reference input
Pin 3 to 34	Recording channels 1 to 32
Pin 35	Reference input
Pin 36	GND (Ground)

### Pin Layout of the Input Connector ADPT-ME2100-HS32-OM



View from the connector for the 32-Channel ME2100-HS32-M (or -S) headstage.  
Type of the connector: JDIL36S-1.27 (CON2x18)



View from the Omnetics connector for the electrode probe.  
Type of the connector: A-79023